



SnoTek MEDUSA

Boundless performance

■ Bächler Top Track AG
■ Snowtechnology
■ Lohrensäge 2
■ CH-6020 Emmenbrücke

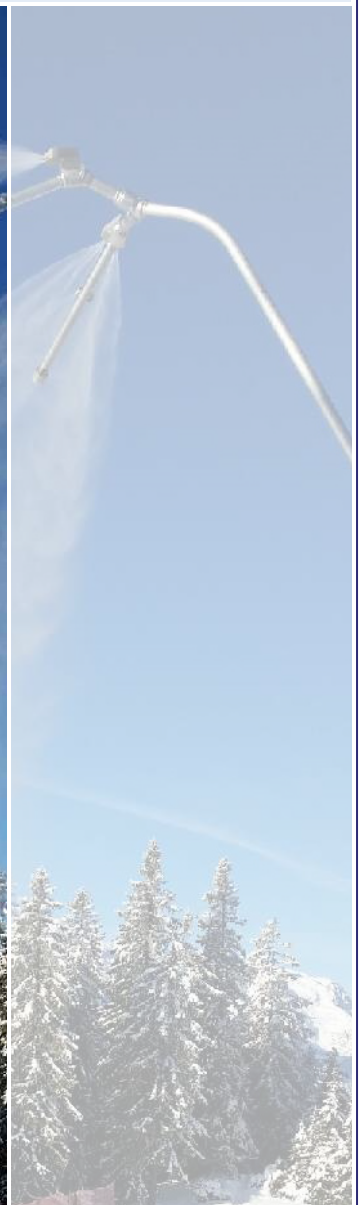
■ +41 (0)56 677 71 00
■ +41 (0)56 677 71 01
■ www.bachler.ch
■ info@bachler.ch



Piste & Tracks



Snowmaking



Fun

SnoTek MEDUSA

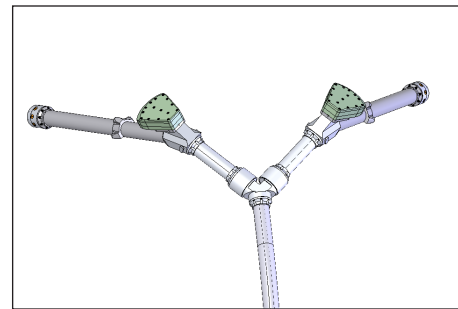
The SnoTek builds on the proven NESSy technology (see NESSy datasheet). The combination of NESSy nozzle technology with the patented nozzle technology of SnoTek results in throwing distances similar to low-pressure snow-makers and with equal amounts of snow. Furthermore the SnoTek nozzle technology is virtually insensitive to wind and throws the snow exactly where you want it. SnoTek has eight snowing levels which enable you to always produce the desired quality of snow.



SnoTek MEDUSA in action

By using the SnoTek MEDUSA lance you double the snow production per snowing point. This is irrespective of the wet bulb temperature! Especially the high performance in the marginal temperature range makes you snow making system even more effective.

Given the increasingly scarce time-frames for artificial snow production, the productivity of the snow making system is crucial!



2 heads

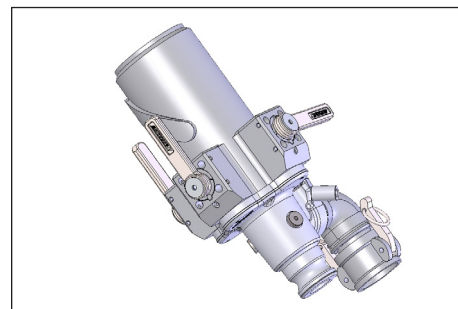
This is the point where the double-head lance comes into its own. For example: At -2.5°WBT the lance can handle 4 l/s of water (at 30 bar). This produces approximately 32m^3 of snow per hour. Already at around -8°WBT the lance can be fully activated which, depending on the pressure, results in a production of up to 150m^3 (at 60 bar) of snow per hour!

SnoTek MEDUSA builds on proven technology

- Variable lance construction
- Single or multi-stage lances
- Existing lances can be converted easily

Technical data:

Multi-stage: 90 kg (length 10m)
 Lance lengths: 7m / 8.5m / 10m
 (other lengths on request)
 Blade angle: 360°
 Till angle: $45\text{...}80^{\circ}$
 Water flow rate: 90 - 520 l/min. at 20 bar



Ball valve

