



## SnoTek

The slim one under the fun guns

■ Bächler Top Track AG  
■ Snowtechnology  
■ Industriestrasse 3  
■ CH-5644 Auw

■ +41 (0)56 677 71 00  
■ +41 (0)56 677 71 01  
■ [www.bachler.ch](http://www.bachler.ch)  
■ [info@bachler.ch](mailto:info@bachler.ch)

piste & tracks

snowmaking

fun

# SnoTek

## What does SnoTek afford?

SnoTek is based on the established NESSy technology (see datasheet NESSy). The combination of the nozzle technology of NESSy and the patented nozzle technology of SnoTek results in throw width like fan guns and the same amount of snow. The SnoTek nozzle technology is practically wind-insensible. SnoTek has more than 8 different snow steps with which you can always generate the desired snow quality.

- Modular design
- High-quality nozzles from MVT micro technologies AG
- Existing BÄCHLER snowguns can be upgraded easily

## SnoTek Track

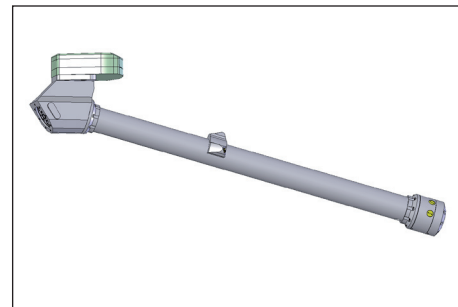
The SnoTek Track is specially designed to produce snow on ski trails or narrow slopes. The version Track is available as a single-stage lance.

### Technical data:

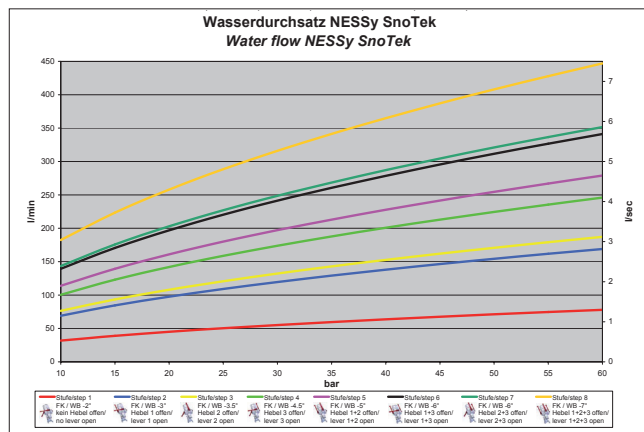
Lance weight                      70kg (10m length), Track 55kg  
 Lance length                      2m / 5m / 7m / 10m  
     (contact us for other lengths)  
 Pivoting angle                    360°  
 Tilt angle                            45...80°



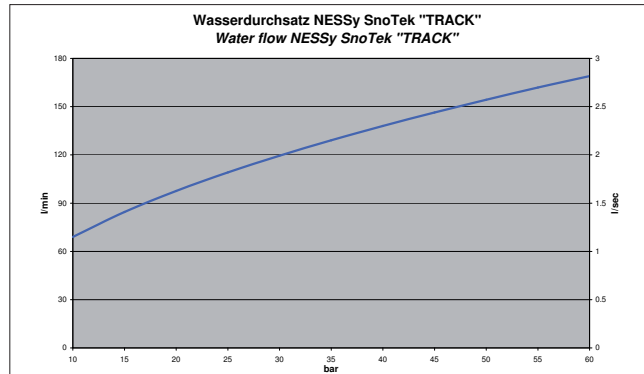
SnoTek in action



Lance head SnoTek



SnoTek in action



SnoTek Track